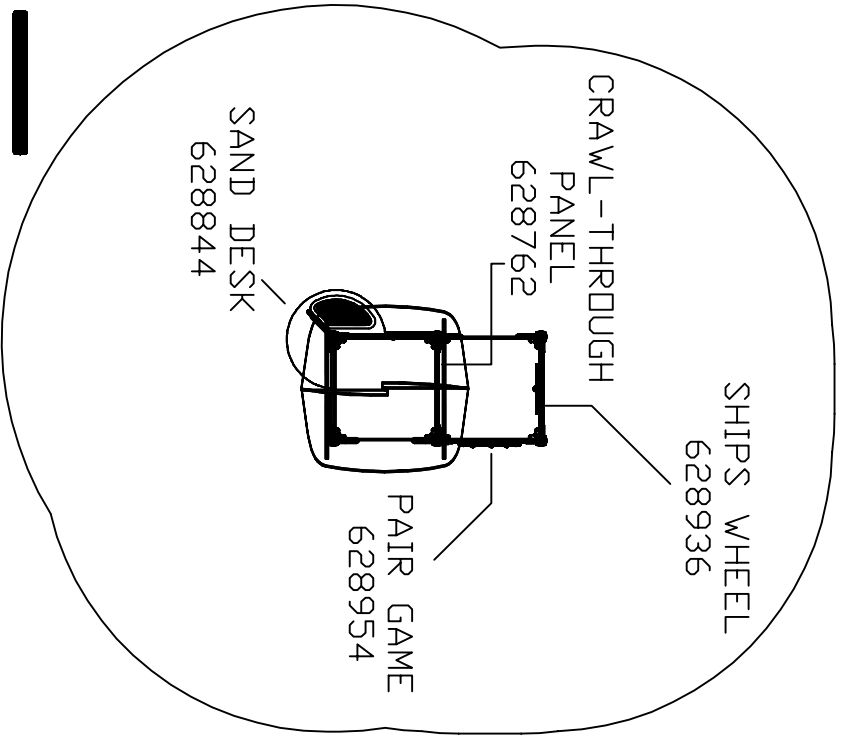


2-5 PLAY AREA

ELEVATED PLAY ACTIVITIES - TOTAL	<u>2</u>	REQD	<u>1</u>
ELEVATED PLAY ACTIVITIES ACCESSIBLE BY TRANSFER	<u>0</u>	REQD	<u>0</u>
ELEVATED PLAY ACTIVITIES ACCESSIBLE BY RAMP	<u>2</u>	REQD	<u>1</u>
GROUND LEVEL ACTIVITY QUANTITY	<u>2</u>	REQD	<u>1</u>

AREA: 222 SQ FT
 PERIMETER: 54'
 The information provided is for estimation purposes only.



SAFETY PANEL
 AGES 2-5
 607-H1



To promote safe and proper equipment use by children, HAGGS recommends the installation of either a HAGGS safety sign or other appropriate safety signage near each play system's main entry point(s) to inform parents and supervisors of the age appropriateness of the play system and general rules for safe play.

AN ENERGY ABSORBING PROTECTIVE SURFACE IS REQUIRED UNDER & AROUND ALL PLAY SYSTEMS.

US1188.00 - 1188.01	✓	COMPLIES TO CPSC	DESIGNED FOR	SCALE: 1/4" = 1'-0"
GROUND SPACE: 4' X 5'	✓	COMPLIES TO ASTM	AGES 2-5	DATE: 8/7/2009
PROTECTIVE AREA: 15' X 18'	✓	COMPLIES TO ADA	ADDITIONAL GROUND LEVEL ACCESSIBLE TYPES: 0	GLENN
			QUANTITY: 0	

ALL IDEAS, DESIGNS, ARRANGEMENTS AND PLANS INDICATED OR REPRESENTED BY THIS DRAWING ARE OWNED BY AND THE PROPERTY OF HAGS AND WERE CREATED, EVOLVED AND DEVELOPED FOR USE ON HAGS' DESIGN AND WERE NOT THE PROPERTY OF ANY OTHER PERSON OR ENTITY. HAGS DISCLAIMS LIABILITY FOR SUCH DISCLOSED TO ANY PERSON, ENTITY OR CORPORATION FOR ANY PURPOSE WHATSOEVER WITH OUT THE WRITTEN PERMISSION OF HAGS. ALL SITE DIMENSIONS AND CONDITIONS SHALL BE VERIFIED ON THE JOB SITE PRIOR TO INSTALLATION.