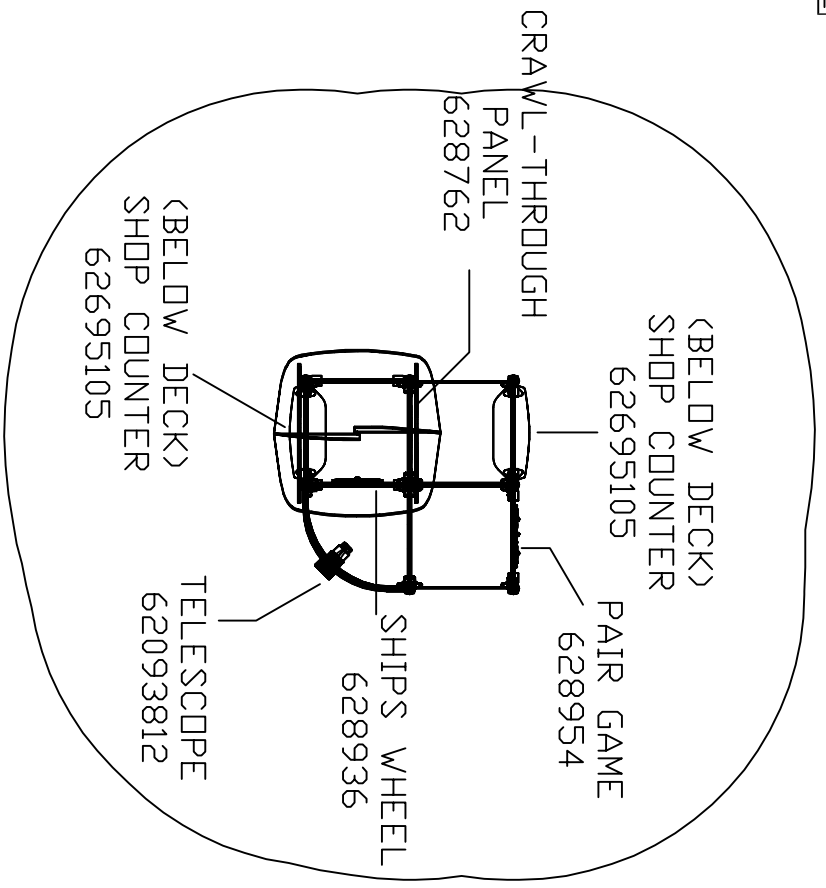


2-5 PLAY AREA

ELEVATED PLAY ACTIVITIES - TOTAL	3
ELEVATED PLAY ACTIVITIES ACCESSIBLE BY TRANSFER	3 REQD 2
ELEVATED PLAY ACTIVITIES ACCESSIBLE BY RAMP	0 REQD 0
GROUND LEVEL ACTIVITY TYPE	2 REQD 1
GROUND LEVEL ACTIVITY QUANTITY	3 REQD 1

AREA: 242 SQ FT
 PERIMETER: 56'
 The information provided is for estimation purposes only.



SAFETY PANEL
 AGES 2-5
 607-H1



To promote safe and proper equipment use by children, HAGS recommends the installation of either a HAGS safety sign or other appropriate safety signage near each play system's main entry point(s) to inform parents and supervisors of the age appropriateness of the play system and general rules for safe play.

AN ENERGY ABSORBING PROTECTIVE SURFACE IS REQUIRED UNDER & AROUND ALL PLAY SYSTEMS.

US1191.00 - 1191.01	✓	COMPLIES TO CPSC	DESIGNED FOR AGES 2-5	SCALE: 1/4" = 1'-0"
GROUND SPACE: 5' X 5'	✓	COMPLIES TO ASTM	ADDITIONAL GROUND LEVEL ACCESSIBLE TYPES: 0	DATE: 8/10/2009
PROTECTIVE AREA: 17' X 17'	✓	COMPLIES TO ADA	QUANTITY: 0	GLENN

ALL IDEAS, DESIGNS, ARRANGEMENTS AND PLANS INDICATED OR REPRESENTED BY THIS DRAWING ARE OWNED BY AND THE PROPERTY OF HAGS AND WERE CREATED, EVOLVED AND DEVELOPED FOR USE ON HAGS EQUIPMENT. HAGS DISCLAIMS ANY LIABILITY FOR SUCH IDEAS AND DESIGN. HAGS DOES NOT WARRANT THE FITNESS OR SUITABILITY OF ANY EQUIPMENT OR SYSTEM FOR ANY USE OTHER THAN THE INTENDED PURPOSE. HAGS CORPORATION FOR ANY PURPOSE WHATSOEVER WITH OUT THE WRITTEN PERMISSION OF HAGS. ALL SITE DIMENSIONS AND CONDITIONS SHALL BE VERIFIED ON THE JOB SITE PRIOR TO INSTALLATION.